

PA8MSO-4338-3(6) Data Sheet

8 MSOP socket/8 pin DIP 0.6" plug

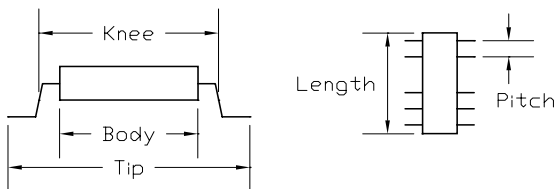
Supported Device/Footprints

Using this adapter, 8 pin SO packages with a body width of 2.8mm and a lead pitch of .65mm can be programmed on DIP programmers.

The following is a partial list of known supported devices.

Mfgr	Device	Package	Footprint	
			Device	Plug
Rohm	BR93L66RFVM-W	8 pin MSOP	Same	8 pin DIP

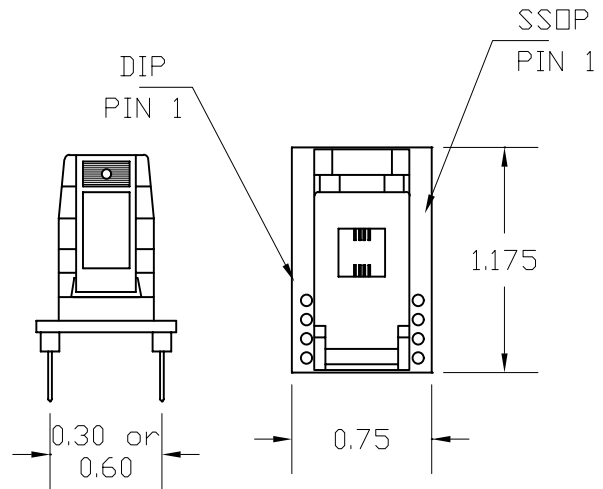
This adapter accepts devices of the following dimensions:



Body mm (inches)			Knee mm (inches)		
min.	typ.	max.	min.	typ.	max.
n/a	2.8 (0.110)		n/a	3.3 (0.130)	

Tip mm (inches)			Body Length	Lead Pitch
min.	typ.	max.	n/a	.65
	4.0 (0.157)	n/a		(0.0256)

Adapter Dimensions



Adapter Construction

The adapter is made up of 2 sub-assemblies. They assemble via connectors making the adapter modular. This way the sub-assemblies can be replaced when they wear out.

When disassembling the adapter take care not to bend the pins. When reassembling the adapter note the pin 1 indicators to align the parts correctly.

Test Socket

MSOP Open-top test socket:

Loranger Part #: 04338-081-6215 LSC Part #: 08SG-4338L

8SG4338I

Accepts the test socket and provides a DIP plug.

Wiring

Wiring is 1 to 1. Pin 1 of the SO device is wired to pin 1 of the DIP plug. Pin 2 to pin 2 and so on around the adapter.

LOGICAL

Logical Systems Corporation
 PO Box 6184, Syracuse, NY 13217-6184 USA
 Tel (315) 478-0722, FAX (315) 479-6753
 www.logicals.com, Email: info@logicals.com

PA8MSO-4338-3(6) Data Sheet
 Doc: 8SG4338L.DOC
 Rev 2/15/05
 Page 1 of 1