

PA5131-32QN Data Sheet

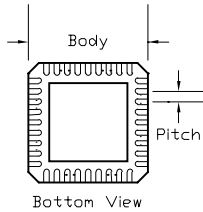
32 pin QFN socket/40 pin DIP 0.6" plug

Supported Device/Footprints

This adapter allows programming of an Atmel AT89C5131 in the 32 pin QFN package using the 40 pin DIP footprint specified by Atmel.

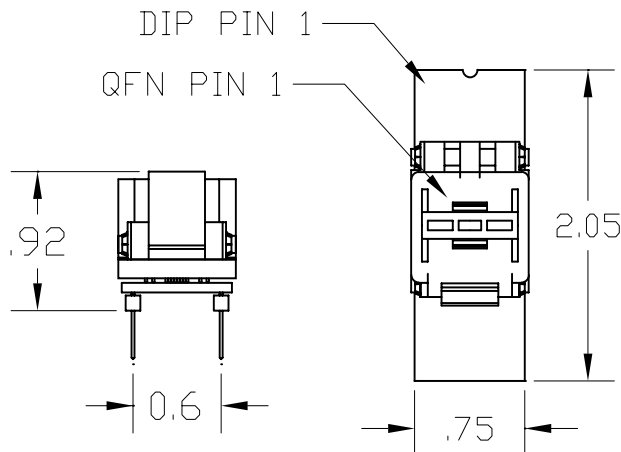
For this adapter to be useful, a programmer must offer specific support for this device and adapter combination.

The QFN socket accepts packages with the dimension sets listed below:



Socket	Body	Pitch
32QNG-7070	7.0 mm typ	0.65 mm

Adapter Dimensions



PA5131-32QN

Adapter Construction

The adapter is made up of 2 sub-assemblies. They assemble via connectors making the adapter modular. This way the sub-assemblies can be replaced when they wear out.

When disassembling the adapter take care not to bend the pins. When reassembling the adapter note the pin 1 indicators to align the parts correctly.

The following chart lists the adapter described by this datasheet and its subassemblies.

Adapter	Test Socket	Adapter Board
PA5131-32QN	32QNG-7070	5131QN32

Test Socket

LSC Socket	Style	Mfgr/Pn
32QNG-7070	Lidded ZIF	Plastronics 32QN65T17070

Adapter Wiring

The following chart shows the connections from the QFN device to the adapter's DIP plug

QFN Socket	Signal	DIP Plug	DIP Plug	Signal	QFN Socket
24	P1.0	1	40	VCC	4
25	P1.1	2	39	P0.7	-
26	P1.2	3	38	P0.6	-
27	P1.3	4	37	P0.5	-
28	P1.4	5	36	P0.4	-
29	P1.5	6	35	P0.3	-
30	P1.6	7	34	P0.2	-
31	P1.7	8	33	P0.1	-
23	RST	9	32	P0.0	-
7	P3.0	10	31	EA*	-
13	P3.1	11	30	ALE	-
14	P3.2	12	29	PSEN*	-
15	P3.3	13	28	P2.7	-
16	P3.4	14	27	P2.6	-
17	P3.5	15	26	P2.5	-
18	P3.6	16	25	P2.4	-
19	P3.7	17	24	P2.3	-
2	XTAL2	18	23	P2.2	-
3	XTAL1	19	22	P2.1	-
6, 12, 21	VSS	20	21	P2.0	-