

PA48TS20-(1)OT Data Sheet

48 pin TSOP socket/48 pin DIP 0.6" plug

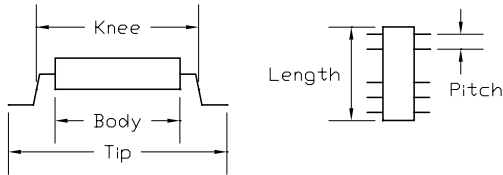
Supported Device/Footprints

These adapters connect the pins of a 48 pin TSOP device to a 48 pin DIP equivalent. They accept a TSOP device and plug into a DIP socket.

The two adapters differ in wiring. See the wiring section.

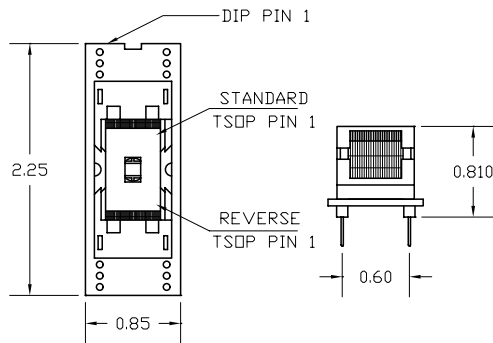
The TSOP socket has been changed by its manufacturer. In the past it accepted devices Live Bug or Dead Bug. Now it only accepts devices Live Bug.

The TSOP socket accepts packages with the dimensions listed below:

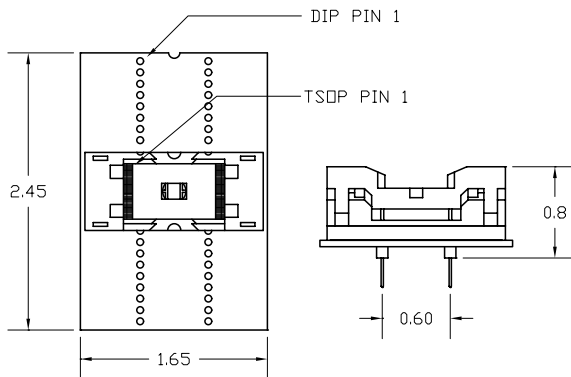


Body	Knee	Tip	Pitch	Length
18.4 mm typ	18.8 mm	20.0 mm	0.50 mm	12.0 mm typ

Adapter Dimensions



PA48TS20-OT



PA48TS20-1OT

Adapter Construction

The adapter is made up of 2 sub-assemblies. They assemble via connectors making the adapter modular. This way the sub-assemblies can be easily replaced.

The following chart lists the adapters described by this datasheet and their subassemblies.

Adapter	Test Socket	Board
PA48TS20-OT	48TSJ-W20	48TS20
PA48TS20-1OT	48TSJ-W20	48TS20-1

Test Sockets

LSC #	Style	Mfgr/Pn
48TSJ-W20	Open Top	Wells 648-0482211SA01

When disassembling the adapter take care not to bend the pins. When reassembling the adapter note the pin 1 indicators to align the parts correctly.

Adapter Wiring

Both adapters are wired 1 to 1. They differ by the type of 1 to 1 wiring. The types are:

PA48TS20-OT	Classic TSOP 1 to 1, by signal position
PA48TS20-1OT	1 to 1, by pin number

The following chart shows the connections from the TSOP socket to the adapter's DIP plug.

	PA48TS20-OT socket				
	PA48TS20-1OT socket				DIP Plug
	1	2	3	4	
13	1	1	48	48	12
14	2	2	47	47	11
15	3	3	46	46	10
16	4	4	45	45	9
17	5	5	44	44	8
18	6	6	43	43	7
19	7	7	42	42	6
20	8	8	41	41	5
21	9	9	40	40	4
22	10	10	39	39	3
23	11	11	38	38	2
24	12	12	37	37	1
25	13	13	36	36	48
26	14	14	35	35	47
27	15	15	34	34	46
28	16	16	33	33	45
29	17	17	32	32	44
30	18	18	31	31	43
31	19	19	30	30	42
32	20	20	29	29	41
33	21	21	28	28	40
34	22	22	27	27	39
35	23	23	26	26	38
36	24	24	25	25	37