

PA44-DP(-PP) Data Sheet

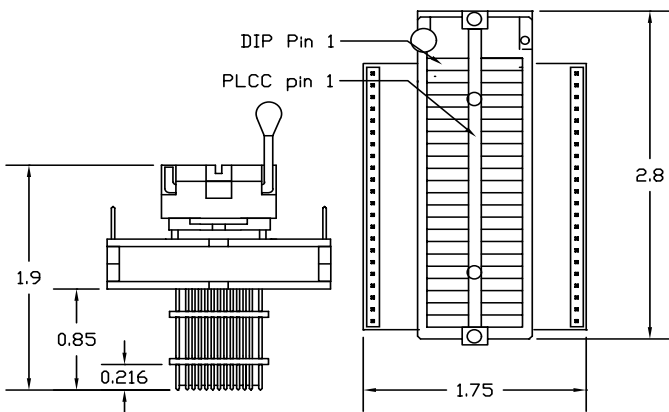
44 pin DIP 0.6" socket/44 pin PLCC plug

Supported Device/Footprints

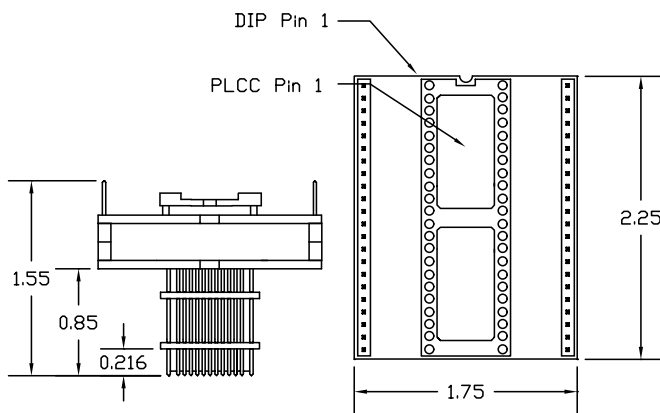
The PA44-DP adapter accepts 44 pin DIP devices and plugs into 44 pin PLCC sockets. This allows DIP devices, or emulators with DIP plugs, to be used during development of PLCC based products.

Socket			Plug	
Mfgr	Device	Package	Device	Package
Many	44 pin	DIP	44 pin	PLCC

Adapter Dimensions



PA44-DP



PA44-DP-PP

Adapter Construction

The adapter is made up of 2 or 3 sub-assemblies. They assemble via connectors making the adapter modular. This way the sub-assemblies can be replaced easily.

When disassembling the adapter take care not to bend the pins. When reassembling the adapter note the pin 1 indicators to align the parts correctly.

The following chart lists the adapters described by this datasheet and their subassemblies.

Adapter	Test Socket	Top Board	Bottom Board
PA44-DP-PP	none *	44-44-DIP	44PLUG
PA44-DP	44-ADZ *	44-44-DIP	44PLUG

* The top board always has a 44 pin DIP production socket. The optional test socket plugs into the production socket.

Test Socket

LSC #	Style	Mfgr/Pn
44ADZ	DIP ZIF	Aries 44-6554-11

Adapter Wiring

This adapter is wired 1 to 1. The following chart shows the connections from the adapter's DIP socket to the adapter's PLCC plug.

DIP DEVICE	PLCC PLUG	PLCC PLUG	DIP DEVICE
1	1	44	44
2	2	43	43
3	3	42	42
4	4	41	41
5	5	40	40
6	6	39	39
7	7	38	38
8	8	37	37
9	9	36	36
10	10	35	35
11	11	34	34
12	12	33	33
13	13	32	32
14	14	31	31
15	15	30	30
16	16	29	29
17	17	28	28
18	18	27	27
19	19	26	26
20	20	25	25
21	21	24	24
22	22	23	23