

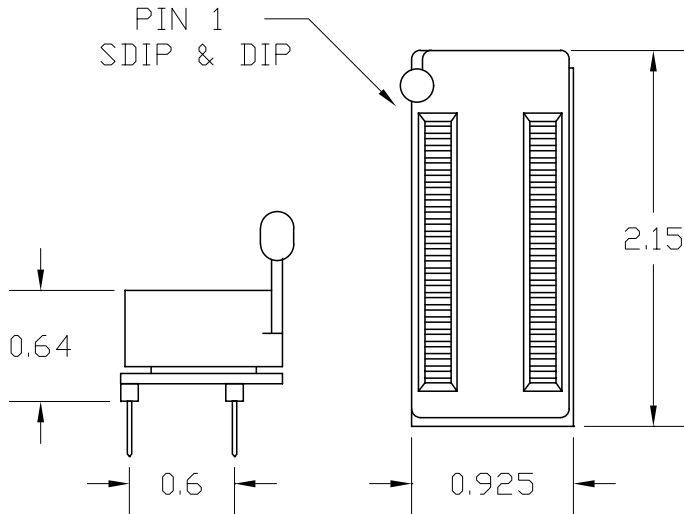
PA42-SDZ Data Sheet

42 pin SDIP ZIF socket/42 pin DIP 0.6" plug

Supported Device/Footprints

The PA42-SDZ adapter accepts a 42 pin Shrink DIP package and connects the pins to a 42 pin DIP footprint. It is a generic adapter that can be used for programming or prototyping.

Adapter Dimensions



Adapter Wiring

The following chart shows the connections between the Shrink DIP device and the adapter's DIP plug. This adapter is wired 1:1.

DEVICE	PLUG	PLUG	DEVICE
1	1	42	42
2	2	41	41
3	3	40	40
4	4	39	39
5	5	38	38
6	6	37	37
7	7	36	36
8	8	35	35
9	9	34	34
10	10	33	33
11	11	32	32
12	12	31	31
13	13	30	30
14	14	29	29
15	15	28	28
16	16	27	27
17	17	26	26
18	18	25	25
19	19	24	24
20	20	23	23
21	21	22	22

Adapter Construction

The adapter is made up of 2 sub-assemblies. The test socket has been soldered to the PC Board and is not easily removed.

Test Socket

LSC Part #: 42-TSDZ Textool Part #: 242-1293-0602

42-40-SD-42

Accepts the socket and connects the pins to the DIP plug. The board has two DIP patterns. The 42 pin pattern is populated.