

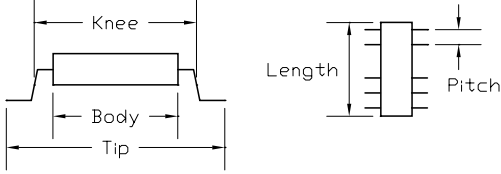
PA40TS20-(1)OT Data Sheet

40 pin TSOP socket/40 pin DIP 0.6" plug

Supported Device/Footprints

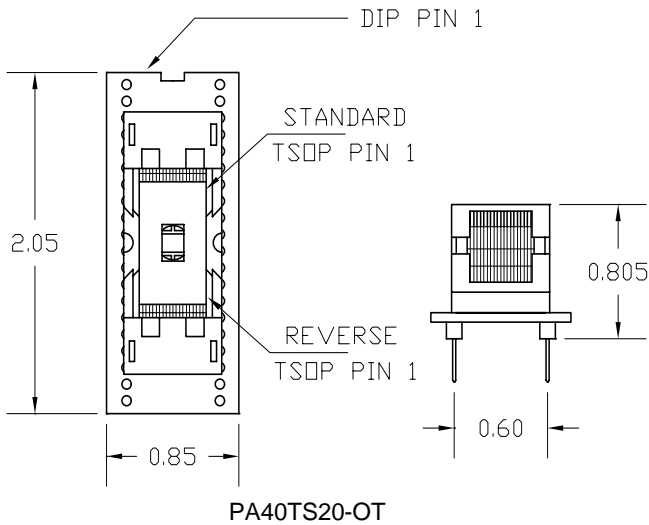
These adapters connect the pins of a 40 pin TSOP device to a 40 pin DIP equivalent. They accept a TSOP device and plug into a DIP socket.

The two adapters differ in wiring. See the wiring section.

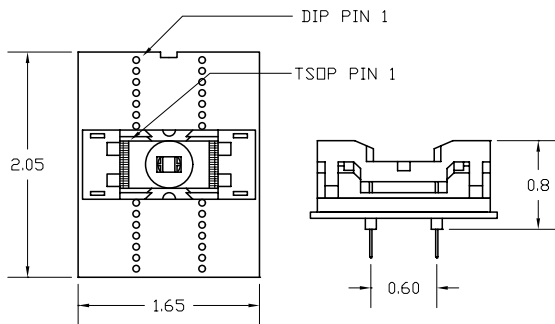


Body	Knee	Tip	Pitch	Length
18.4 mm typ	19.0 mm	20.0 mm	0.50 mm	10.0 mm typ

Adapter Dimensions



PA40TS20-OT



PA40TS20-1OT

Adapter Construction

The adapter is made up of 2 sub-assemblies. They assemble via connectors making the adapter modular. This way the sub-assemblies can be easily replaced.

The following chart lists the adapters described by this datasheet and their subassemblies.

Adapter	Test Socket	Board
PA40TS20-OT	40TSJ-W20	40TS20
PA40TS20-1OT	40TSJ-W20	40TS20-1

Test Sockets

LSC #	Style	Mfgr/Pn
40TSJ-W20	Open Top	Wells 648-0402211-A01

When disassembling the adapter take care not to bend the pins. When reassembling the adapter note the pin 1 indicators to align the parts correctly.

Adapter Wiring

Both adapters are wired 1 to 1. They differ by the type of 1 to 1 wiring. The types are:

PA40TS20-OT	Classic TSOP 1 to 1, by signal position
PA40TS20-1OT	1 to 1, by pin number

The following chart shows the connections from the TSOP socket to the adapter's DIP plug.

PA40TS20-1OT									
PA40TS20-OT									
Std	Rev	Std	Rev	DIP		Rev	Std	Rev	Std
1	40	11	30	1	40	31	10	1	40
2	39	12	29	2	39	32	9	2	39
3	38	13	28	3	38	33	8	3	38
4	37	14	27	4	37	34	7	4	37
5	36	15	26	5	36	35	6	5	36
6	35	16	25	6	35	36	5	6	35
7	34	17	24	7	34	37	4	7	34
8	33	18	23	8	33	38	3	8	33
9	32	19	22	9	32	39	2	9	32
10	31	20	21	10	31	40	1	10	31
11	30	21	20	11	30	1	40	11	30
12	29	22	19	12	29	2	39	12	29
13	28	23	18	13	28	3	38	13	28
14	27	24	17	14	27	4	37	14	27
15	26	25	16	15	26	5	36	15	26
16	25	26	15	16	25	6	35	16	25
17	24	27	14	17	24	7	34	17	24
18	23	28	13	18	23	8	33	18	23
19	22	29	12	19	22	9	32	19	22
20	21	30	11	20	21	10	31	20	21



Logical Systems Corporation
 PO Box 6184, Syracuse, NY 13217-6184 USA
 Tel (315) 478-0722, FAX (315) 479-6753
 www.logicalsyst.com, Email: info@logicalsyst.com

PA40TS20-(1)OT Data Sheet
 Doc: 40TS20-1.DOC
 Rev 03/04/02
 Page 1 of 2

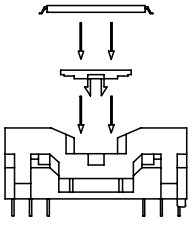
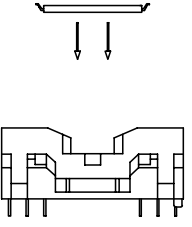
Using Live/Dead-Bug Adapter

Which To Use:

Standard and reverse pinout devices are supported by this adapter. Standard pinout devices are inserted live bug and Reverse pinout devices are inserted dead bug.

The socket on this adapter accommodates both orientations using a removable shim. The following chart shows how to set up and use the adapter for each.

Note: Pin 1 of the TSOP is in the upper right corner of the adapter for standard pinouts, in the lower right corner for reverse pinouts (see the Adapter Dimensions section).

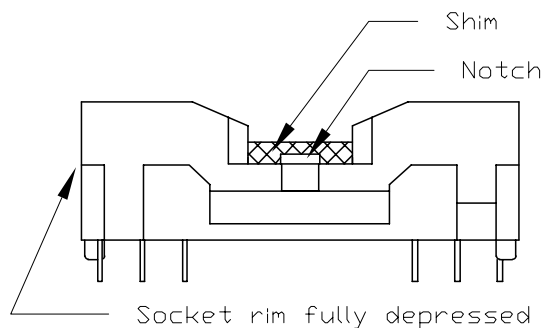
Pinout:	Standard	Reverse
		
Insert Device:	Live Bug	Dead Bug
Shim:	Installed	Removed

How To Insert the Shim:

Depress the rim of the socket to the open position. Insert shim with the clips downward, and push the clips through the hole in the socket. Push the shim as far down as it will go. When seated properly, the shim is entirely below the rim of the closed socket.

How To Remove the Shim:

Depress the rim of the socket so that it is open, and the notch in the side of the shim is visible (see picture below). Insert a small-bladed screwdriver (or other small tool) into the notch, and pry the shim out. This should be possible with a minimum of force.



LOGICAL

Logical Systems Corporation
 PO Box 6184, Syracuse, NY 13217-6184 USA
 Tel (315) 478-0722, FAX (315) 479-6753
 www.logicalsyst.com, Email: info@logicalsyst.com

PA40TS20-(1)OT Data Sheet
 Doc: 40TS20-1.DOC
 Rev 03/04/02
 Page 2 of 2