

PA34-32-1SP6 Data Sheet

34 pin SO (0.040" pitch) socket/32 pin DIP 0.6" plug

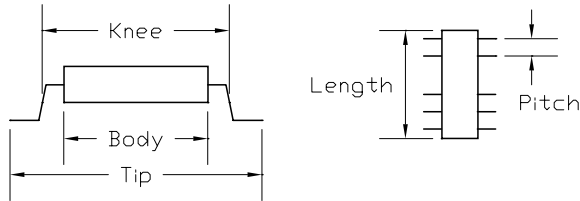
Supported Device/Footprints

This PA34-32-1SP6 adapter allows programming of an STMicro ST7263 in a 34 pin SOIC package in its 32 pin DIP footprint.

Other devices that fit this adapter and require the same wiring will also work with this adapter.

Device Dimensions

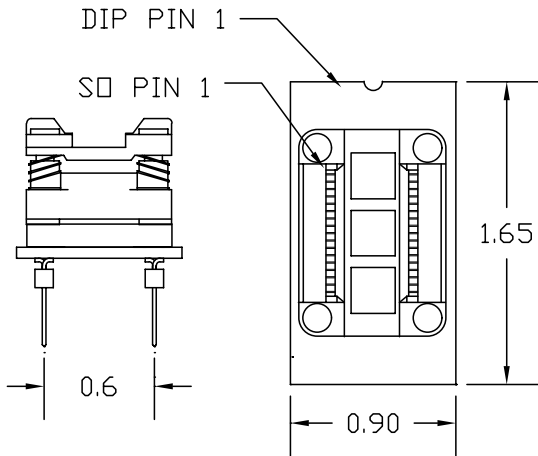
This socket can accept devices of the following dimensions:



| Body mm (inches) | | | Knee mm (inches) | | |
|------------------|-----------------|------|------------------|------|-----------------|
| min. | typ. | max. | min. | typ. | max. |
| n/a | 7.62 (0.300) | | 8.12 (0.320) | | 9.19 (0.362) |

| Tip mm (inches) | | | Body Length | Lead Pitch |
|------------------|------|------------------|-------------|-----------------|
| min. | typ. | max. | n/a | 1.02 (0.040) |
| 10.16 (0.400) | | 10.41 (0.410) | | |

Adapter Dimensions



Adapter Construction

The adapter is made up of 2 sub-assemblies. They assemble via connectors making the adapter modular. This way the sub-assemblies can be replaced easily.

When disassembling the adapter take care not to bend the pins. When reassembling the adapter note the pin 1 indicators to align the parts correctly.

The following chart shows the socket and board part numbers that make up this adapter.

| Adapter | Test Socket | Circuit Board | DIP Plug |
|--------------|-------------|---------------|----------|
| PA34-32-1SP6 | 34SL-P | 34321SP6 | 0.6" |

Test Socket

| LSC # | Mfgr/Part Number | Style |
|--------|---------------------|----------|
| 34SL-P | Plastronics P2034SO | Open Top |

Adapter Wiring

The following chart shows the connections from the SOIC device to the adapter's DIP plug.

| SOIC Device | PLUG |
|-------------|------|
| 1 | 1 |
| 2 | 2 |
| 3 | 3 |
| 4 | 4 |
| 5 | 5 |
| 6 | 6 |
| 7 | 7 |
| 8 | 8 |
| 9 | - |
| 10 | 9 |
| 11 | 10 |
| 12 | 11 |
| 13 | 12 |
| 14 | 13 |
| 15 | 14 |
| 16 | 15 |
| 17 | 16 |
| 18 | 17 |
| 19 | 18 |
| 20 | 19 |
| 21 | 20 |
| 22 | 22 |
| 23 | 23 |
| 24 | 21 |
| 25 | 24 |
| 26 | - |
| 27 | 25 |
| 28 | 26 |
| 29 | 27 |
| 30 | 28 |
| 31 | 29 |
| 32 | 30 |
| 33 | 31 |
| 34 | 32 |

Skips: 9,26