

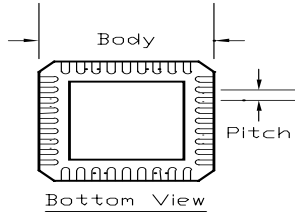
PA32QFN-32-1 Data Sheet

32 pin QFP socket/32 pin DIP 0.6" plug

Supported Device/Footprints

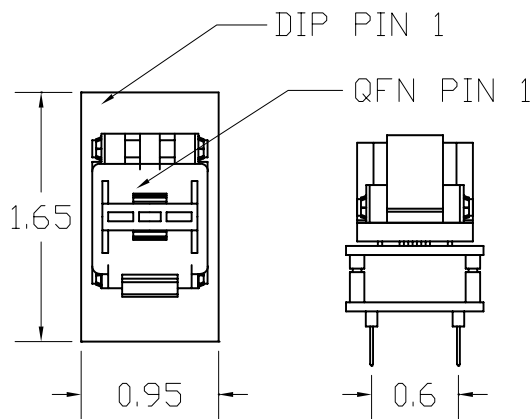
This adapter allows programming of many 32 pin QFN devices in their 32 pin DIP footprint.

The QFN socket accepts packages with the dimensions listed below:



Socket	Body	Pitch
32QNG-7070	7.0 mm typ	0.65 mm

Adapter Dimensions



PA32QFN-32

Adapter Construction

The adapter is made up of 3 sub-assemblies. They assemble via connectors making the adapter modular. This way the sub-assemblies can be replaced when they wear out.

When disassembling the adapter take care not to bend the pins. When reassembling the adapter note the pin 1 indicators to align the parts correctly.

The following chart shows the various socket and board part numbers that make up these adapters.

Adapter	Test Socket	Top Board	Bottom Board
PA32QFN-32	32QNG-7070	32QFN-T	32-32-1-6

Test Socket

LSC #	Style	Mfgr/Pn
32QNG-7070	Lidded ZIF	Plastronics 32QN65T17070

Adapter Wiring

This adapter is wired 1 to 1. The following chart shows the connections from the QFN device to the adapters DIP plug.

DEVICE	PLUG	PLUG	DEVICE
1	1	32	32
2	2	31	31
3	3	30	30
4	4	29	29
5	5	28	28
6	6	27	27
7	7	26	26
8	8	25	25
9	9	24	24
10	10	23	23
11	11	22	22
12	12	21	21
13	13	20	20
14	14	19	19
15	15	18	18
16	16	17	17