

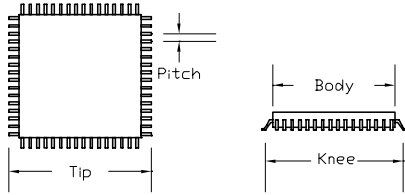
PA32Q1498 Data Sheet

32 pin QFP socket/32 pin DIP 0.6" plug

Supported Device/Footprints

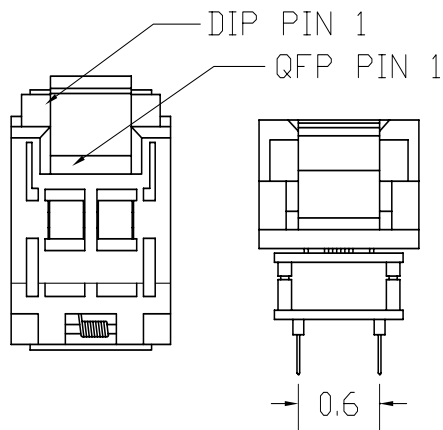
This adapter allows programming of many 32 pin QFP devices in their 32 pin DIP footprint.

The QFP socket accepts packages with the dimensions listed below:



Socket	Body	Knee	Tip	Pitch
32Q-1498	7.0 mm typ	8.0 mm typ	9.0 mm typ	0.8 mm

Adapter Dimensions



PA32Q1498

Adapter Construction

The adapter is made up of 3 sub-assemblies. They assemble via connectors making the adapter modular. This way the sub-assemblies can be replaced when they wear out.

When disassembling the adapter take care not to bend the pins. When reassembling the adapter note the pin 1 indicators to align the parts correctly.

The following chart shows the various socket and board part numbers that make up these adapters.

Adapter	Test Socket	Top Board	Bottom Board
PA32Q1498	32Q-1498	32-1498	32-32-6

Test Socket

LSC #	Style	Mfgr/Pn
32Q-1498	Lidded ZIF	Yamaichi IC51-0324-1498

Adapter Wiring

This adapter is wired 1 to 1. The following chart shows the connections from the QFP device to the adapters DIP plug.

DEVICE	PLUG	PLUG	DEVICE
1	5	4	32
2	6	3	31
3	7	2	30
4	8	1	29
5	9	32	28
6	10	31	27
7	11	30	26
8	12	29	25
9	13	28	24
10	14	27	23
11	15	26	22
12	16	25	21
13	17	24	20
14	18	23	19
15	19	22	18
16	20	21	17