

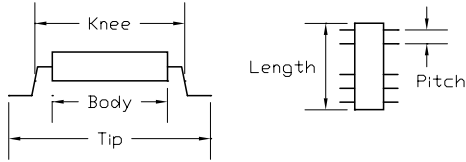
PA28TSS-OT-x Data Sheet

28 pin TSSOP socket/28 pin DIP 0.3" or 0.6" plug

Supported Device/Footprints

These adapters convert TSSOP devices to DIP footprints. They are commonly used for device programming.

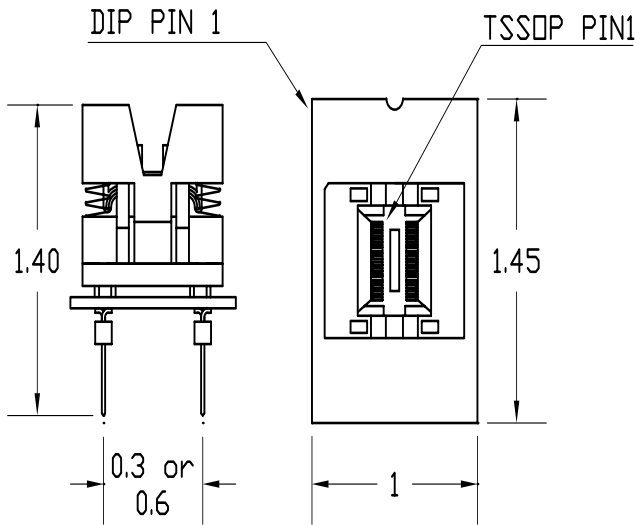
The SSOP socket accepts packages with the dimensions listed below:



Body mm (inches)			Knee mm (inches)		
min.	typ.	max.	min.	typ.	max.
n/a	4.4	5.5	n/a	5.2	
	(0.209)	(0.216)		(0.250)	

Tip mm (inches)			Lead Pitch mm (inches)	
min.	typ.	max.	typ.	
n/a	6.4	n/a	0.65	
	(0.307)		(0.0256)	

Adapter Dimensions



PA28TSS-OT-6

Adapter Construction

The adapter is made up of 2 sub-assemblies. They assemble via connectors making the adapter modular. This way the sub-assemblies can be replaced easily.

When disassembling the adapter take care not to bend the pins. When reassembling the adapter note the pin 1 indicators to align the parts correctly.

The following chart shows the various socket and board part numbers that make up these adapters.

Adapter	Plug	Test Socket	Board
PA28TSS-OT-3	0.3"	28TSG-01	28TSS-OT-3
PA28TSS-OT-6	0.6"	28TSG-01	28TSS-OT-6

Test Sockets

LSC #	Style	Mfgr/Pn
28TSG-01	Open Top	Enplas OTS-28-0.65-01

Adapter Wiring

The adapter is wired 1-1. Pin 1 of the TSSOP connects to pin 1 of the DIP plug, pin 2 to pin 2 and so on around the package.