

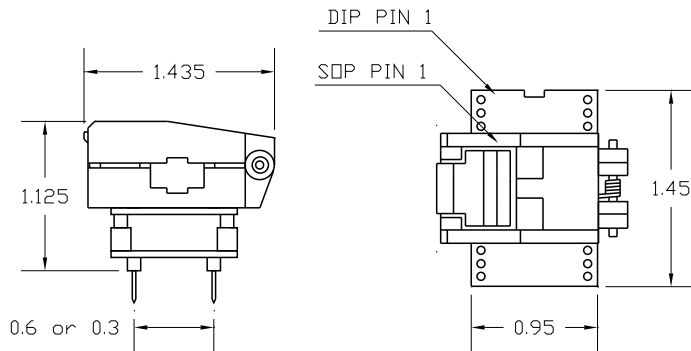
PA28SO1-15B-3(6) Data Sheet

28 pin SO socket/28 pin DIP 0.3" or 0.6" plug

Supported Device/Footprints

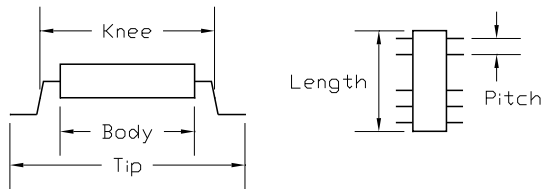
Using this adapter, 28 pin SO packages with a body width of 8.6mm - 9.1mm and lead pitch 1.27mm can be programmed on DIP programmers.

Adapter Dimensions



Device Dimensions

This socket can accept devices of the following dimensions:



Body mm (inches)			Knee mm (inches)		
min.	typ.	max.	min.	typ.	max.
8.0	9.0	9.1	n/a	10.4	10.5
(0.315)	(0.354)	(0.358)		(0.409)	(0.413)
Tip mm (inches)			Body Length	Lead Pitch	
min.	typ.	max.	n/a	1.27	
11.1	11.6	n/a		(0.050)	
(0.437)	(0.457)				

Adapter Parts & Part Numbers

The following chart shows the various socket and board part numbers that make up these adapters.

Adapter	Socket	Top Board	Bottom Board
PA28SO1-15B-3	28SD-15	28SO-2815	28-28-3
PA28SO1-15B-6	28SD-15	28SO-2815	28-28-6

Adapter Construction

The adapter is made up of 3 sub-assemblies. They assemble via connectors making the adapter modular. This way the sub-assemblies can be replaced when they wear out.

When disassembling the adapter take care not to bend the pins. When reassembling the adapter note the pin 1 indicators to align the parts correctly.

Test Socket

SO Lidded ZIF socket:

Enplas Part #: FP-28-1.27-15B

LSC Part #: 28SD-15B

28SO-2815

Accepts the test socket and connects to the bottom board.

28-28-3 (-6)

Provides the DIP plug. May have a 0.3" or 0.6" bottom plug.

Wiring

Wiring is 1 to 1. Pin 1 of the SO device is wired to pin 1 of the DIP plug. Pin 2 to pin 2 and so on around the adapter.

DEVICE	PLUG
1	1
2	2
3	3
4	4
5	5
6	6
7	7
8	8
9	9
10	10
11	11
12	12
13	13
14	14
15	15
16	16
17	17
18	18
19	19
20	20
21	21
22	22
23	23
24	24
25	25
26	26
27	27
28	28



Logical Systems Corporation
 PO Box 6184, Syracuse, NY 13217-6184 USA
 Tel (315) 478-0722, FAX (315) 479-6753
 www.logicalsyst.com, Email: info@logicalsyst.com

PA28SO1-15B-3(6) Data Sheet
 Doc: 28SO-15B.DOC
 Rev 1/28/97
 Page 1 of 1