

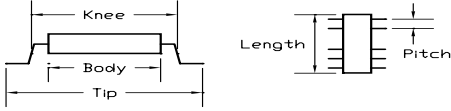
PAxxQS-OT-3(-6) Data Sheet

16-28 pin QSOP socket/16-28 pin DIP plug (0.3" or 0.6")

Supported Device/Footprints

These adapters convert QSOP devices to DIP footprints. They are commonly used for device programming.

The QSOP socket accepts packages with the dimensions listed below:

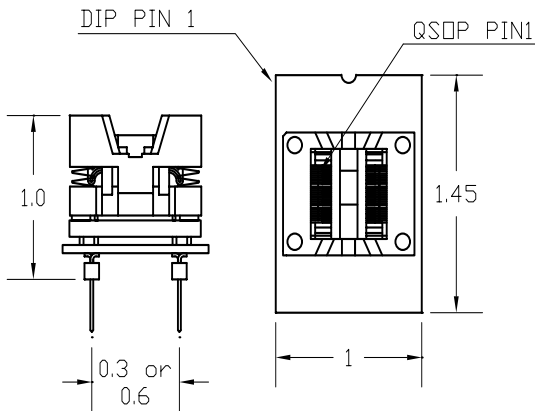


Body mm (inches)			Knee mm (inches)		
min.	typ.	max.	min.	typ.	max.
n/a	3.9 (0.154)	4.0 (0.157)	n/a	4.7 (0.185)	

Tip mm (inches)			Lead Pitch mm (inches)
min.	typ.	max.	typ.
	6.0 (0.236)		0.635 (0.025)

Pins	Body Length mm (inches)
16	4.80 (0.189) typ
28	8.61 (0.339) typ

Adapter Dimensions



PA28QS-02-OT-6

Adapter Construction

The adapter is made up of 2 sub-assemblies. They assemble via connectors making the adapter modular. This way the sub-assemblies can be replaced easily.

When disassembling the adapter take care not to bend the pins. When reassembling the adapter note the pin 1 indicators to align the parts correctly.

The following chart shows the various socket and board part numbers that make up these adapters.

Adapter	Plug	Test Socket	Board
PA16QS-OT-3	0.3"	16(28)QSH-02	28QS-02-3-16
PA16QS-OT-6	0.6"	16(28)QSH-02	28QS-02-6-16
PA28QS-OT-3	0.3"	28QSH-02	28QS-02-3
PA28QS-OT-6	0.6"	28QSH-02	28QS-02-6

Test Sockets

LSC #	Style	Mfgr/Pn
xx(28)QSH-02	Open Top	Enplas OTS-xx(28)-0.635-02-00

Adapter Wiring

The adapter is wired 1-1. Pin 1 of the QSOP connects to pin 1 of the DIP plug, pin 2 to pin 2 and so on around the package.