

PA-SXA-28SS Data Sheet

28 pin SSOP socket/28 pin DIP 0.3" of 0.6" plug

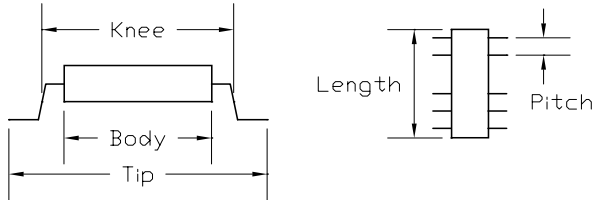
Supported Device/Footprints

Using this adapter, the Ubicom SX28AC/SS in a 28 pin SSOP package can be programmed on programmers capable of programming the 28 pin DIP version of the part.

Device			Programmer	
Mfgr	Device	Package	Device	Plug
Ubicom	SX28AC/SS	SSOP 28	SX28AC/DP	DIP 28

Device Dimensions

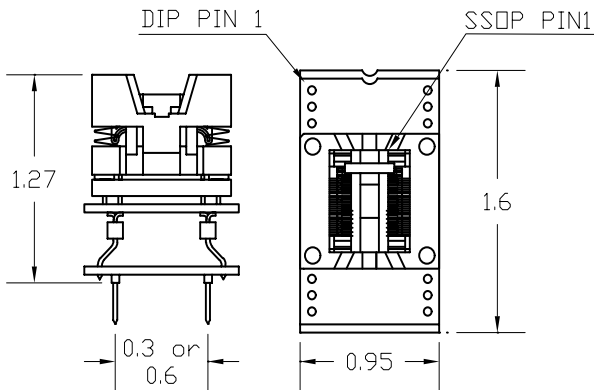
This socket can accept devices of the following dimensions



Body mm (inches)			Knee mm (inches)		
min.	typ.	max.	min.	typ.	max.
n/a	5.3 (0.209)	5.7 (0.224)	n/a	6.4 (0.250)	6.5 (0.256)

Tip mm (inches)			Body Length	Lead Pitch
min.	typ.	max.		
7.6 (0.299)	7.8 (0.307)	8.0 (0.315)	6.17 typ (0.243)	0.65 (0.0256)

Adapter Dimensions



Adapter Construction

The adapter is made up of 2 sub-assemblies. They assemble via connectors making the adapter modular. This way the sub-assemblies can be replaced when they wear out.

When disassembling the adapter take care not to bend the pins. When reassembling the adapter note the pin 1 indicators to align the parts correctly.

Test Socket

SSOP Open top test socket:
Enplas Part #: OTS-28(34)-0.65-01
LSC Part #: 28(34)SG-01

28SS-SXA

Accepts the test socket and performs the wiring in the Adapter Wiring section.

Adapter Wiring

The following chart shows the connections from the SSOP device to the adapter's DIP plug.

DEVICE	SIGNAL	PLUG
1	RTCC	2
2**	Vdd	3,4
3	n/c	-
4**	Vss	1, 14
5	n/c	-
6	RA0	5
7	RA1	6
8	RA2	7
9	RA3	8
10	RB0	9
11	RB1	10
12	RB2	11
13	RB3	12
14	RB4	13
15	RB5	15
16	RB6	16
17	RB7	17
18	RC0	18
19	RC1	19
20	RC2	20
21	RC3	21
22	RC4	22
23	RC5	23
24	RC6	24
25	RC7	25
26	OSC2	26
27	OSC1	27
28	MCLR	28

**DIP pins 1-14 and 2-3 are shorted.