

PA-SOD-4403-44 Data Sheet

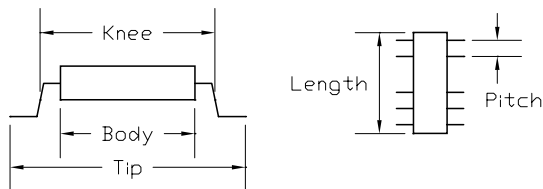
44 pin SO socket/44 pin SO receptacle
(SO-Plugs NOT included)

Supported Device/Footprints

Using this adapter, 44 pin count SO packages with a body width of 13.3mm and lead pitch of 1.27mm can be socketed over their PCB footprints.

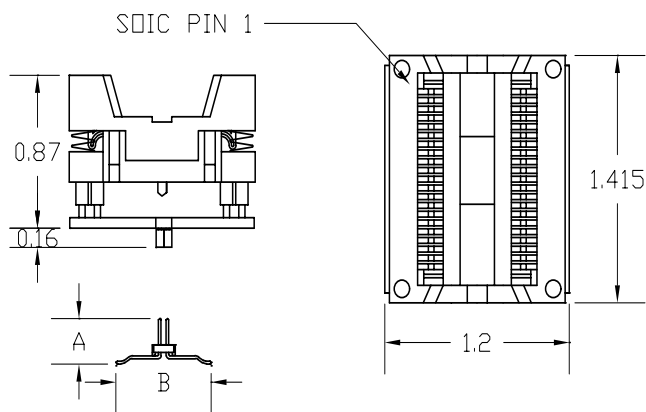
Device Dimensions

This socket accepts devices with the following dimensions:



Body	Knee	Tip	Pitch	Length
13.3 mm typ	14.4 mm	16.0 mm	1.27 mm	28.2 mm typ

Adapter Dimensions



SO Plugs

SO Plugs are required to connect this adapter to the prototype. They are available separately. The two most common plugs are shown in the following chart. Other SO-Plugs will also mate with this adapter, contact us if you want assistance matching plugs to this adapter.

Plug Kit	A	B
PA-SOF-D560-xx	0.230"	0.570"
PA-SOF-D630-xx	0.290"	0.630"

Adapter Construction

The adapter is made up of 2 sub-assemblies. They assemble via connectors making the adapter modular. This way the sub-assemblies can be replaced easily.

When disassembling the adapter take care not to bend the pins. When reassembling the adapter note the pin 1 indicators to align the parts correctly.

The following chart lists the adapter described by this datasheet and its subassemblies.

Adapter	Test Socket	Board
PA-SOD-4403-44	44SD-03	44SOD-03

Test Sockets

LSC #	Style	Mfgr/Pn
44SD-03	Open Top	Enplas OTS-44-1.27-03

Wiring

Wiring is 1 to 1. Pin 1 of the SO device is wired to pin 1 of the plug. Pin 2 to pin 2 and so on around the adapter.



Logical Systems Corporation
PO Box 6184, Syracuse, NY 13217-6184 USA
Tel (315) 478-0722, FAX (315) 479-6753
www.logicals.com, Email: info@logicals.com

PA-SOD-4403-44 Data Sheet
Doc: SOD4403.DOC
Rev 09/28/01
Page 1 of 1