

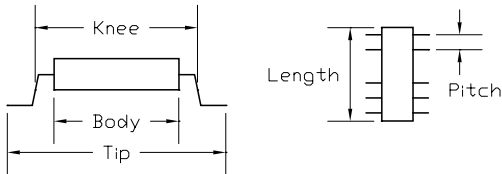
# PA40TS-SG1 Data Sheet

40 pin TSOP socket/40 pin DIP 0.6" plug

## Supported Device/Footprints

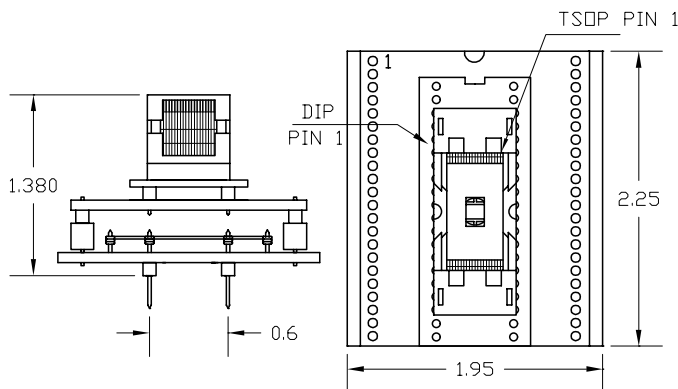
The PA40TS-SG1 adapter converts the pinout of the Atmel AT49F1025 in a 40 pin TSOP device to a 40 pin DIP footprint used by System General. It accepts the TSOP device and plugs into a DIP socket.

The TSOP socket accepts packages with the dimensions listed below:



Body	Knee	Tip	Pitch	Length
12.4 mm typ	13.0 mm	14.0 mm	0.50 mm	10.0 mm typ

## Adapter Dimensions



## Socket Operation

Press down on sides of socket to insert or remove the device. A vacuum pen or similar tool is recommended for handling the device.

## Adapter Construction

The adapter is made up of 3 sub-assemblies. They assemble via connectors making the adapter modular. This way the sub-assemblies can be replaced when they wear out.

When disassembling the adapter take care not to bend the pins. When reassembling the adapter note the pin 1 indicators to align the parts correctly.

## Test Socket & Adapter Shim

TSOP Auto-eject Test Socket:

Wells Part #: 648A0402211-A01 LSC Part #: 40TSJ-W14

## 40TS14-160

Accepts the socket and connects to the bottom board. All pins are wired straight through.

## 44-40-SG1

Performs the wiring in the chart below, and provides the DIP plug.

## Adapter Wiring

The following chart shows the connections from the TSOP device to the adapter's DIP plug.

DEVICE	SIGNAL	PLUG	PLUG	SIGNAL	DEVICE
1	A0	21	20	/OE	40
2	A1	22	19	I/O0	39
3	A2	23	18	I/O1	38
4	A3	24	17	I/O2	37
5	A4	25	16	I/O3	36
6	A5	26	15	I/O4	35
7	A6	27	14	I/O5	34
8	A7	28	13	I/O6	33
9	A8	29	12	I/O7	32
10	GND	30	11	GND	31
11	A9	31	10	I/O8	30
12	A10	32	9	I/O9	29
13	A11	33	8	I/O10	28
14	A12	34	7	I/O11	27
15	A13	35	6	I/O12	26
16	A14	36	5	I/O13	25
17	A15	37	4	I/O14	24
18	NC	38	3	I/O15	23
19	/WE	39	1	NC	22
20	VCC	40	2	/CE	21



Logical Systems Corporation  
 PO Box 6184, Syracuse, NY 13217-6184 USA  
 Tel (315) 478-0722, FAX (315) 479-6753  
 www.logicals.com, Email: info@logicals.com

PA40TS-SG1 Data Sheet  
 Doc: 40TS-SG1.DOC  
 Page 1 of 1  
 Rev 7/2/97