

PA40-28-2D6 Data Sheet

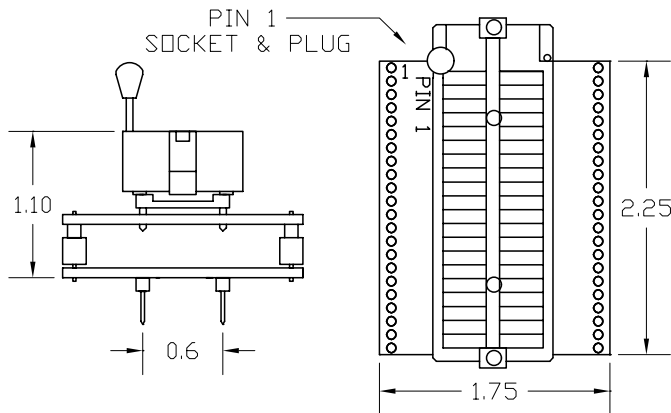
40 pin DIP socket/28 pin DIP 0.6" plug

Supported Device/Footprints

Using this adapter, the National Semiconductor COP8SGx7 in its 40 pin DIP package can be programmed in its 28 pin DIP footprint.

Mfgr	Device		Footprint	
	Device	Package	Device	Plug
Nat'l Semi	COP8SGx7	40 pin DIP	COP8SGx7	28 pin DIP

Adapter Dimensions



Shown with ZIF Socket

Adapter Construction

The adapter is made up of 3 sub-assemblies. They assemble via connectors making the adapter modular. This way the sub-assemblies can be replaced when they wear out.

When disassembling the adapter take care not to bend the pins. When reassembling the adapter note the pin 1 indicators to align the parts correctly.

Optional Test Socket

DIP ZIF test socket:

Aries Part #: 40-6554-11 LSC Part #: 40ADZ

40-40-DIP

Accepts the test socket and connects to the bottom board.

40-28-2D6

Performs the wiring shown in the Adapter Wiring section, and provides the 28 pin DIP plug.

Adapter Wiring

This adapter connects a National Semiconductor COP8SGx7 from its 40 pin DIP package to its 28 pin DIP package as shown below.

DEVICE	SIGNAL	PLUG	PLUG	SIGNAL	DEVICE
1	C2	-	-	C1	40
2	C3	-	-	C0	39
3	G4	1	28	G3	38
4	G5	2	27	G2	37
5	G6	3	26	G1	36
6	G7	4	25	G0	35
7	CKI	5	24	RESET	34
8	VCC	6	23	GND	33
9	F0	7	-	D7	32
10	F1	8	-	D6	31
11	F2	9	-	D5	30
12	F3	10	-	D4	29
13	GNF4D	-	22	D3	28
14	CEF5	-	21	D2	27
15	F6	-	20	D1	26
16	F7	-	19	D0	25
17	L0	11	18	L7	24
18	L1	12	17	L6	23
19	L2	13	16	L5	22
20	L3	14	15	L4	21