

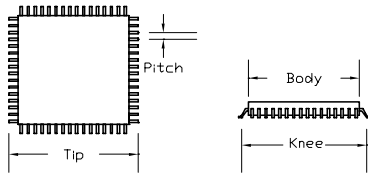
PA32QF-32QF Data Sheet

32 pin QFP socket/32 pin QFP plug

Supported Device/Footprints

These adapters accept 32 pin QFP devices and have a removable 32 pin QFP solder-down plug. This allows QFP device to be inserted into and removed from a prototype easily.

The QFP socket accepts packages with the dimension sets listed below:

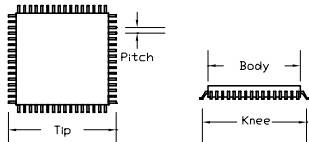


Socket	Body	Knee	Tip	Pitch
32Q-1498	7.0 mm typ	8.0 mm typ	9.0 mm typ	0.8 mm

The QFP plug will fit most 32 pin, 0.8mm pitch, QFP land patterns. Usually the pads extend from the body past the tip of the device leads. This plug will fit on pads that have a minimum span of 7.0mm or less and a maximum span of 9.2mm or more.

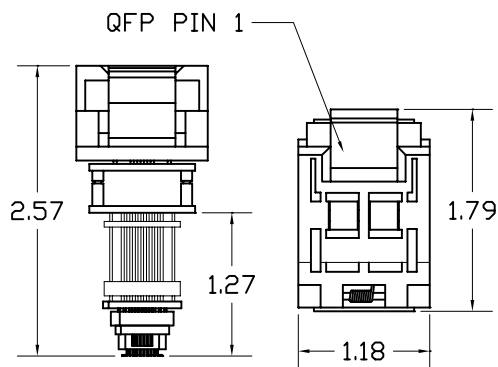
Inner pad span	Outer pad span
7.0mm or less	9.2mm or more

The QFP Plug's leads are dimensioned as follows.



Plug	Body	Knee	Tip	Pitch
PQF-32	7.0mm typ	7.2mm typ	9.2mm typ	0.8mm

Adapter Dimensions



PA32QF-32QF

Adapter Construction

The adapter is made up of 4 sub-assemblies. They assemble via connectors making the adapter modular. This way the sub-assemblies can be replaced easily.

When disassembling the adapter take care not to bend the pins. When reassembling the adapter note the pin 1 indicators to align the parts correctly.

The following chart shows the adapters described by this datasheet and their subassemblies.

Adapter	Socket	Top Board	Bottom Board	QFP Plug
PA32QF-32QF	32Q-1498	32-1498	32PLUG-Q	PQF-32

Test Socket

LSC #	Style	Mfgr/Pn
32Q-1498	Lidded ZIF	Yamaichi IC51-0324-1498

QFP Plug

Solders to the QFP land pattern on the prototype. Additional QFP Plugs can be purchased separately.

Adapter Wiring

The adapter is wired 1 to 1. QFP socket pin 1 connects to QFP plug pin 1. Pin 2 to pin 2 and so on around the package.