

PA17C42-Dx-QF Data Sheet

40 pin DIP socket/44 pin QFP plug

Supported Device/Footprints

The PA17C42-Dx-QF adapter accepts 40 pin DIP devices and has a removable 44 pin QFP solder-down plug. This allows DIP devices, or emulators with DIP plugs, to be used during development of QFP based products.

Other devices that require the same wiring would also be supported.

The following DIP device footprints are converted to the indicated QFP footprint.

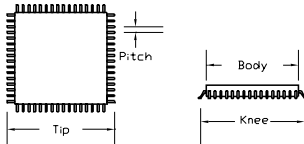
Microchip: PIC17C42, PIC17C42A, PIC17C43, PIC17C44

Footprint: Same device 44MQFP

This QFP plug will fit most 44 pin. 0.8mm pitch, QFP land patterns. Usually the pads extend from the body past the tip of the device leads. This plug will fit on pads that have a minimum span of 10.0mm or less and a maximum span of 12.0mm or more.

| Inner pad span | Outer pad span |
|----------------|----------------|
| 10.0mm or less | 12.0mm or more |

The QFP Plug's leads are dimensioned as follows.



| Plug | Body | Knee | Tip | Pitch |
|--------|-------------|------------|-------------|--------|
| PQF-44 | 10.0 mm typ | 9.6 mm typ | 12.0 mm typ | 0.8 mm |

Adapter Construction

The adapter is made up of 2 or 3 sub-assemblies. They assemble via connectors making the adapter modular. This way the sub-assemblies can be replaced easily.

When disassembling the adapter take care not to bend the pins. When reassembling the adapter note the pin 1 indicators to align the parts correctly.

The following chart lists the adapters described by this datasheet and their subassemblies.

| Adapter | Test Socket | Board | QFP Plug |
|---------------|-------------|----------|----------|
| PA17C42-DZ-QF | 40-ADZ * | P42-DP-Q | PQF-44 |
| PA17C42-DP-QF | none * | P42-DP-Q | PQF-44 |

* The adapter always has a 40 pin DIP production socket. The optional test socket plugs into the production socket.

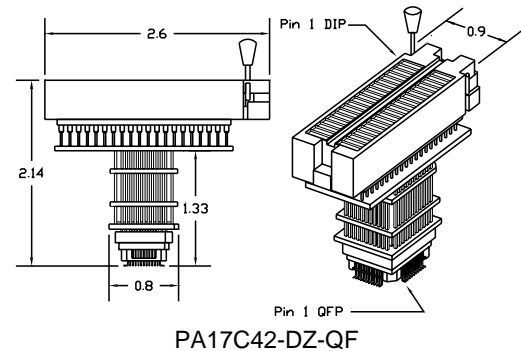
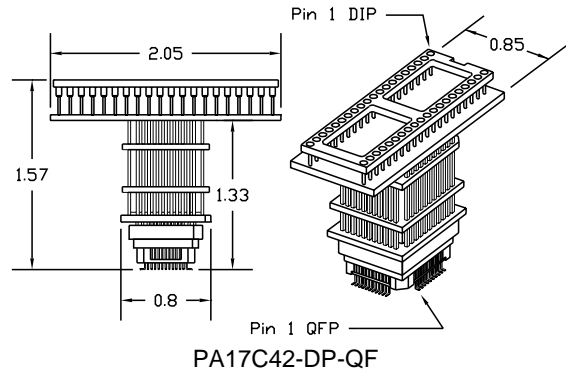
Test Socket

| LSC # | Style | Mfgr/Pn |
|-------|---------|------------------|
| 40ADZ | DIP ZIF | Aries 40-6554-11 |

QFP Plug

The QFP plug is removable. One is included with the adapter. Additional QFP plugs may be ordered as PQF-44. This allows the adapter to be used on several prototypes without de-soldering.

Adapter Dimensions



Note: DIP Pin 1 is in the lower right corner. Microchip packaged the QFP device with a 180 degree rotation from the DIP & PLCC packages.

Adapter Wiring

The following chart shows the connections from the DIP socket to the adapter's QFP plug.

| DIP SOCKET | QFP PLUG | DIP SOCKET | QFP PLUG |
|------------|----------|------------|----------|
| 1 | 16* | 20 | 38 |
| 1 | 17* | 21 | 39 |
| N/C | 18 | 22 | 40 |
| 2 | 19 | 23 | 41 |
| 3 | 20 | 24 | 42 |
| 4 | 21 | 25 | 43 |
| 5 | 22 | 26 | 44 |
| 6 | 23 | 27 | 1 |
| 7 | 24 | 28 | 2 |
| 8 | 25 | 29 | 3 |
| 9 | 26 | 30 | 4 |
| 10 | 27* | 31 | 5* |
| 10 | 28* | 31 | 6* |
| 11 | 29 | 32 | 7 |
| 12 | 30 | 33 | 8 |
| 13 | 31 | 34 | 9 |
| 14 | 32 | 35 | 10 |
| 15 | 33 | 36 | 11 |
| 16 | 34 | 37 | 12 |
| 17 | 35 | 38 | 13 |
| 18 | 36 | 39 | 14 |
| 19 | 37 | 40 | 15 |

Shorted: QFP pins 5-6, 16-17, 27-28

LOGICAL
SYSTEMS

Logical Systems Corporation
PO Box 6184, Syracuse, NY 13217-6184 USA
Tel (315) 478-0722, FAX (315) 479-6753
www.logicalsys.com, Email: info@logicalsys.com

PA17C42-Dx-QF Data Sheet
Doc: 17C42-DQ.DOC
Rev 06/19/00
Page 1 of 1